



# PRODUCT DATASHEET

## SMART+ Wifi Flare Post 60cm RGB + W

Smart+ Flare Multicolor | Luminaires with WiFi technology



---

### Areas of application

- General illumination
- Gardens
- Patios, balconies

---

### Product benefits

- Easy and quick installation
- Colorful garden lighting with smart and intelligent control options

---

### Product features

- Controllable via LEDVANCE SMART+ App (with minimum Android 8.0 or iOS 14.0)
- Controllable via voice control available: Google Assistant or Amazon Alexa
- RGB color control, approx. 16 million color options adjustable
- Dimmable
- Color temperature: 3,000 K (Warm White)
- Network protocol: WiFi
- Type of protection: IP44



---

## TECHNICAL DATA

### Electrical data

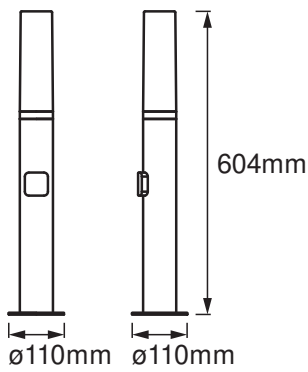
Nominal wattage	7.50 W
Nominal voltage	220...240 V
Mains frequency	50...60 Hz
Power factor $\lambda$	> 0.5
Total harmonic distortion	< 20 %
Protection class	I
Operating mode	Mains voltage

### Photometrical data

Luminous flux	320 lm
Total luminous flux of contained light sources	570 lm
Luminous efficacy	43 lm/W
Color temperature	3000 K
Light color (designation)	RGBW
Color rendering index Ra	$\geq 80$
Standard deviation of color matching	< 6 sdc <sub>m</sub>
Photobiological safety group acc. to EN62778	RG0
Photobiological safety group acc. to EN62471	RG0
Beam angle	230.00 °

### Dimensions & Weight

Diameter	110.00 mm
Height	604.00 mm
Product weight	1150.00 g



SMART OUTD WIFI FLARE 60CM

### Materials & Colors

Product color	Dark gray
Housing color	Dark gray
Body material	Aluminum
Cover material	Polycarbonate (PC)
Glow Wire Test according to IEC 60695-2-12	650 °C

### Application & Mounting

Ambient temperature range	-20...+40 °C
Type of connection	Terminal, 3-Pole (L, N, PE)
Type of protection	IP44
Protection class IK (shock resistance)	IK03
Dimmable	Yes
Type of dimming	WiFi
Mounting type	Surface
Mounting location	Wall
Application environment	Outdoor
With light source	No

### Lifespan

Lifespan L70/B50 at 25 °C	25000 h
Number of switching cycles	12500

### Certificates & Standards

Standards	CE / EAC / UKCA
-----------	-----------------

Luminaire with limited surface temperature, "D sign"	No
Replaceable light source (EPREL)	Not replaceable

**Additional product data**

Product remark	Reset settings to default by switching the product on for three seconds and off for three seconds and repeating this five times.
----------------	--






**EQUIPMENT / ACCESSORIES**

- Mounting screws and dowels included
- Control via app or voice control requires compatible Smart home system
- For control via LEDVANCE SMART+ App, a smartphone or tablet is required (with minimum Android 8.0 or iOS 14.0)

**Safety advice**

- All electrical connections must be made by a qualified person.
- Caution, risk of electric shock.
- Product in protection class I. All electrically conductive, metallic housing parts that can absorb voltage during operation or during maintenance in the event of a fault must be continuously connected to the protective earthing conductor.

**DOWNLOAD DATA**

Documents and certificates		Document name
	User instruction / safety instructions	SMART OUTD WIFI FLARE
	Legal information	Legal insert
	Declarations of conformity	CE_SMART OUTD WIFI FLARE WALL RGBW DG
	Declarations of conformity UKCA	SMART WIFI
	EU Data Act	SMART WiFi Lamps and Luminaires

**LOGISTICAL DATA**

Product code	Packaging unit (Pieces/Unit)	Dimensions (length x width x height)	Gross weight	Volume
4058075478299	Folding box 1	122 mm x 122 mm x 624 mm	1180.00 g	9.29 dm <sup>3</sup>
4058075478305	Shipping box 2	638 mm x 258 mm x 147 mm	2892.00 g	24.20 dm <sup>3</sup>

The mentioned product code describes the smallest quantity unit which can be ordered. One shipping unit can contain one or more single products. When placing an order, for the quantity please enter single or multiples of a shipping unit.

---

### References / Links

– Further information and frequently asked questions (FAQs) at [www.ledvance.com/en-int/home-lighting/services/faq](http://www.ledvance.com/en-int/home-lighting/services/faq)

---

### DISCLAIMER

Subject to change without notice. Errors and omission excepted. Always make sure to use the most recent release.